

LEATHER CHAIR

ASSEMBLY INSTRUCTIONS-PLEASE KEEP FOR FUTURE REFERENCE



Important-please read these instructions fully before starting assembly

Safety and Care Advice

Important – Please read these instructions fully before starting assembly

- Check you have all the components and tools listed on pages 2 and 3.
- Remove all fittings from the plastic bags and separate them into their groups.
- Keep children and animals away from the work area, small parts could choke if swallowed.
- Make sure you have enough space to layout the parts before starting.

- Do not stand or put weight on the product during assembly, this could cause damage.
- Assemble the item as close to its final position (in the same room) as possible.
- Assemble on a soft level surface to avoid damaging the unit or your floor.
- Parts of the assembly will be easier with 2 people.



- We do not recommend the use of power drill/drivers **for inserting screws**, as this could damage the unit. Only use hand screwdrivers.
- Dispose of all packaging carefully and responsibly.

Care and maintenance

- Only clean using a damp cloth and mild detergent, do not use bleach or abrasive cleaners.
- From time to time check that there are no loose screws on this unit.

- Do not stand on the chair.
- Do not use this chair as step ladder.
- This product should not be discarded with household

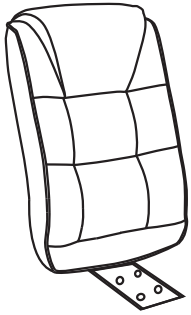
waste. Take to your local authority waste disposal centre.

Handy Hints

- Assemble all parts and bolts loosely during assembly, only once the product is complete should you fully tighten the bolts.
- Regularly check and ensure that all bolts and fittings are tightened properly.

Components - Parts

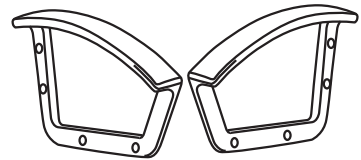
Please check you have all the parts listed below



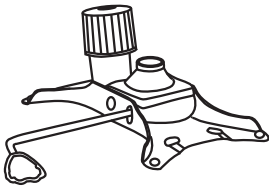
1 Backrest x1



2 Seat x 1



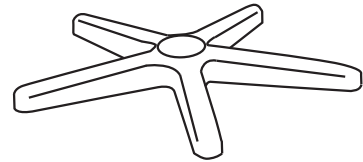
3 Left armrest x1 & Right armrest x 1



4 Seat plate x 1



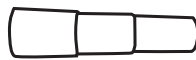
5 Gas lift x 1



6 Base x 1



7 Castors x 5











8 Gas lift cover x 1

Components - Fittings

Please check you have all the fittings listed below.

Note: The quantities below are the correct amount to complete the assembly.
In some cases more fittings may be supplied than are required.

A  20mm Bolts x 8	B  25mm Bolts x 2	C  30mm Bolts x 4
D  35mm Bolts x 2	E  Spring washer x 4	F  Washer x 8
G  15mm Covers x 8	H  M6 Allen key (supplied)	

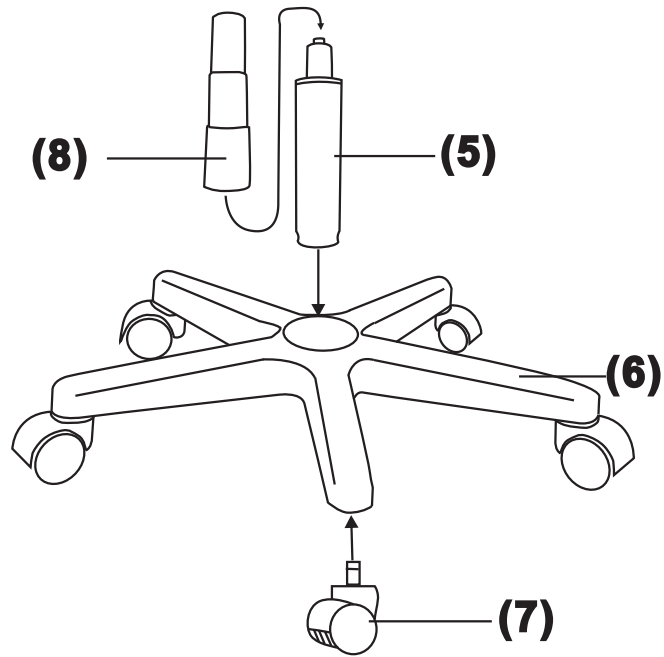
Assembly Instructions

Step 1

Fitting the base

Push all the five castors **(7)** into the underside of the base **(6)**.

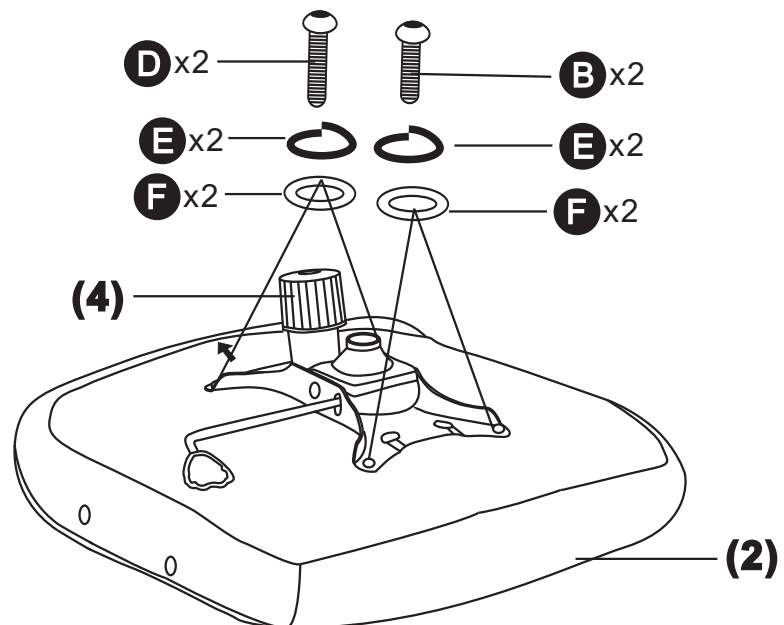
Insert the gas lift **(5)** into the base **(6)**. Put the gaslift cover **(8)** onto the gaslift **(5)**



Step 2

Fitting the Seat Cushion

Use bolts **(B)** **(D)** and washer **(F)** and spring washer **(E)** to fix the seat plate **(4)** onto the seat **(2)**. Ensure the plate **(4)** is fitted to the seat with correct orientation.

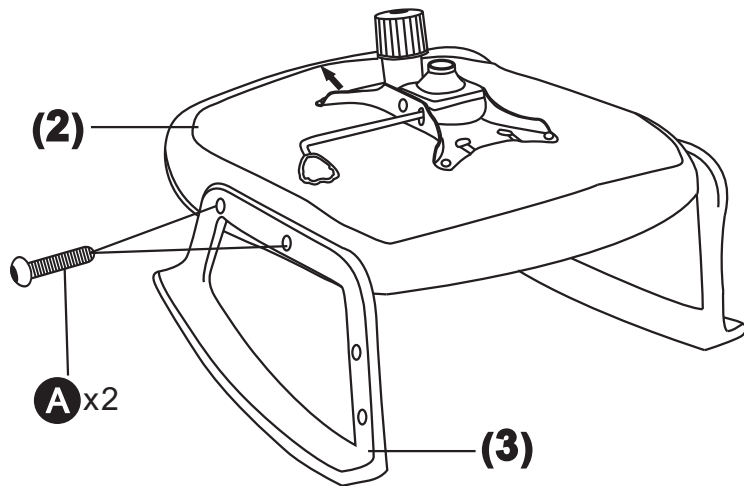


Assembly Instructions

Step 3

Fitting the Armrests

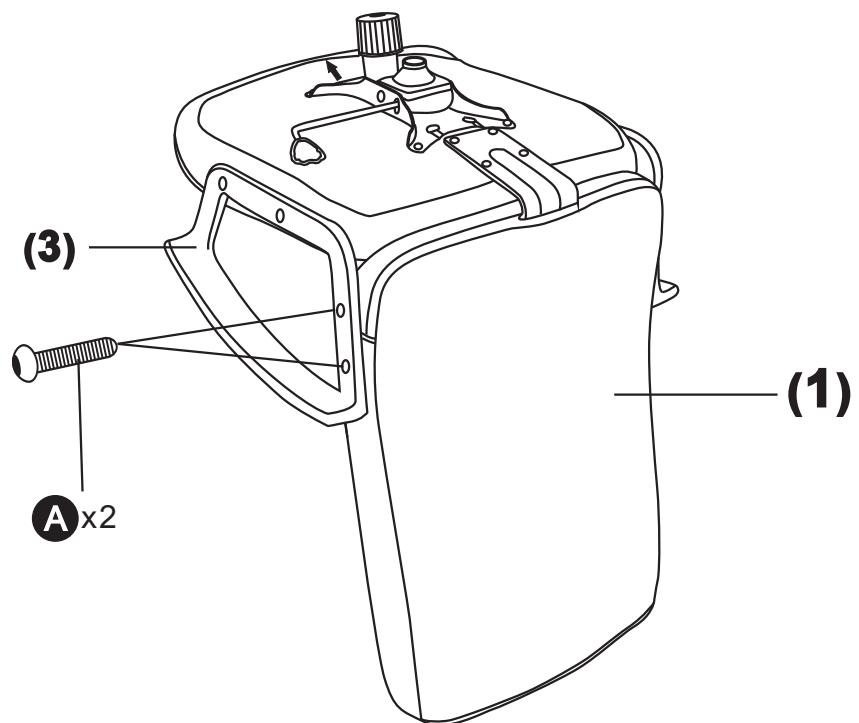
Use bolts **A** to fix the armrests **3** and seat **2**.



Step 4

Fitting the Backrest

Use bolts **A** to fix the armrests **3** and back **1**.

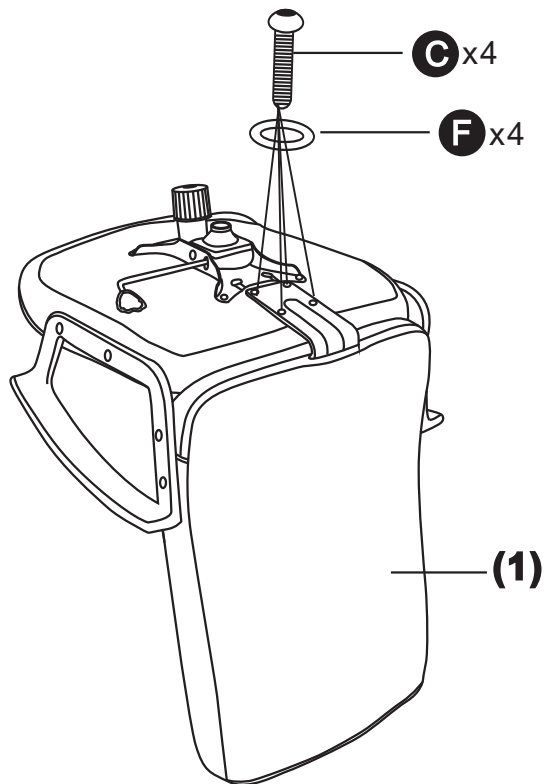


Assembly Instructions

Step 5

Fitting the Backrest

Use bolts **G** and washer **F** to fix the backrest **1** onto the seat **2**.



Step 6

Finishing the Unit

Use the Plastic plugs **G** to cover the armrest **3** fixing bolts.

Carefully place the unit in the desired location.

